

Select Product Line:

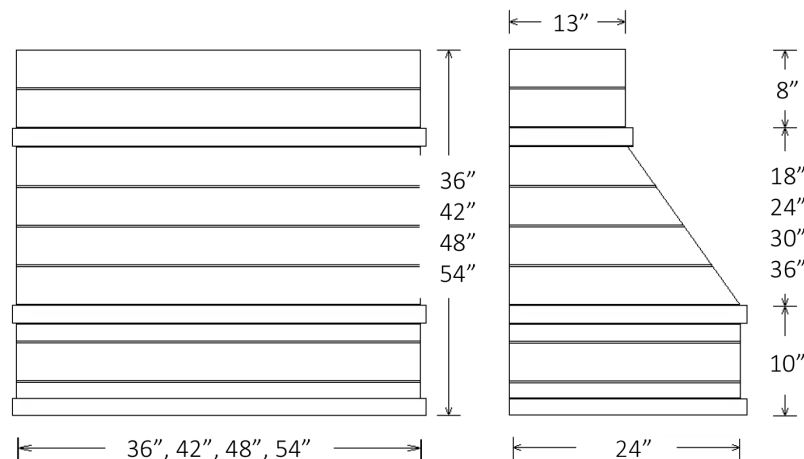
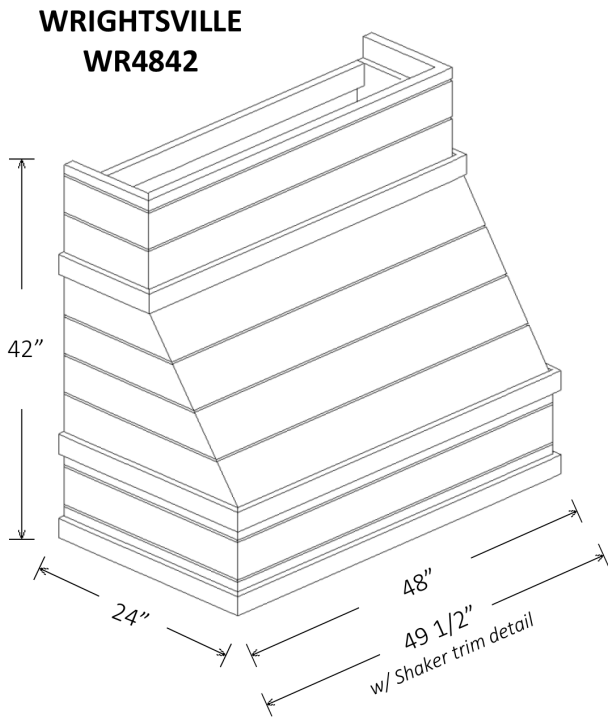


P.O. # _____
 Dealer Contact Name: _____
 Dealer Phone: _____
 Dealer Contact Email: _____
 SHIP TO: _____
 Address: _____
 City: _____ State: _____ Zip: _____

FINISH COLOR: _____

FINISH ENHANCEMENTS:

- LINEN GLAZE BRUSHED BROWN GLAZE
- KHAKI GLAZE BRUSHED GRAY GLAZE
- PEWTER GLAZE HEIRLOOM BROWN
- CHOCOLATE GLAZE HEIRLOOM GRAY
- COFFEE GLAZE RUB-THROUGH
- VINTAGE



Hood:	
<input checked="" type="checkbox"/> Wrightsville WR _____	<input type="checkbox"/> Qty: _____
Species:	
<input checked="" type="checkbox"/> Maple	
Size:	
■ Width: <input type="checkbox"/> 36" <input type="checkbox"/> 42" <input type="checkbox"/> 48" <input type="checkbox"/> 54"	
<i>Inside box:</i> 34.5" 40.5" 46.5" 52.5"	
■ Height: <input type="checkbox"/> 36" <input type="checkbox"/> 42" <input type="checkbox"/> 48" <input type="checkbox"/> 54"	
■ Depth: <input type="checkbox"/> 24" <i>inside box: 22.5"</i>	
<i>*outside box dimensions; excludes trim detail</i>	
Trim Detail:	
<input checked="" type="checkbox"/> 3" SHAKER	
<i>*note trim projections, add to box dimensions</i>	
Face Detail:	
<input checked="" type="checkbox"/> Shiplap	
Removable Access Panel:	
<input type="checkbox"/> NO <input type="checkbox"/> YES	

Estimate 5 weeks lead time for delivery.