

Select Product Line:



P.O. # \_\_\_\_\_

Dealer Contact Name: \_\_\_\_\_

Dealer Phone: \_\_\_\_\_

Dealer Contact Email: \_\_\_\_\_

SHIP TO: \_\_\_\_\_

Address: \_\_\_\_\_

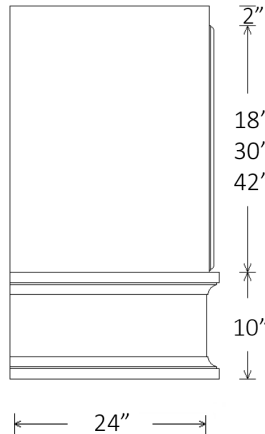
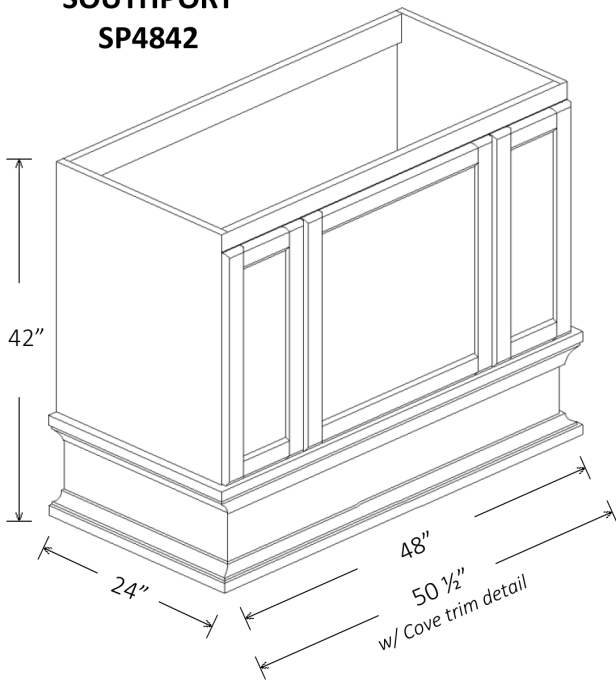
City: \_\_\_\_\_ State: \_\_\_\_\_ Zip: \_\_\_\_\_

**FINISH COLOR:** \_\_\_\_\_

**FINISH ENHANCEMENTS:**

- LINEN GLAZE
- BRUSHED BROWN GLAZE
- KHAKI GLAZE
- BRUSHED GRAY GLAZE
- PEWTER GLAZE
- HEIRLOOM BROWN
- CHOCOLATE GLAZE
- HEIRLOOM GRAY
- COFFEE GLAZE
- RUB-THROUGH
- VINTAGE

**SOUTHPORT  
SP4842**



<b>Hood:</b>		
<input checked="" type="checkbox"/> Southport SP _____	■ Qty: _____	
<b>Species:</b>		
<input checked="" type="checkbox"/> Maple		
<b>Size:</b>		
■ Width: <input type="checkbox"/> 36" <input type="checkbox"/> 42" <input type="checkbox"/> 48" <input type="checkbox"/> 54"		
Inside box: 34.5" 40.5" 46.5" 52.5"		
■ Height: <input type="checkbox"/> 30" <input type="checkbox"/> 42" <input type="checkbox"/> 54"		
■ Depth: <input type="checkbox"/> 24" inside box: 22.5"		
<i>*outside box dimensions; excludes trim detail</i>		
<b>Trim Detail Options:</b>		
<input type="checkbox"/> CLASSIC	<input type="checkbox"/> COVE	<input type="checkbox"/> SHAKER
<i>*note trim projections, add to box dimensions</i>		
<b>Dummy Door Profile Options:</b>		
<input type="checkbox"/> CLASSIC	<input type="checkbox"/> SHAKER	
<b>Removable Access Panel:</b>		
<input type="checkbox"/> NO	<input type="checkbox"/> YES	

**Estimate 5 weeks lead time for delivery.**