

Select Product Line:



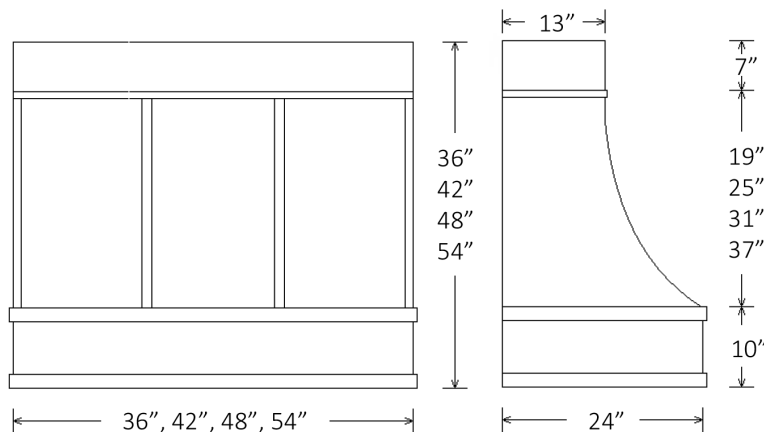
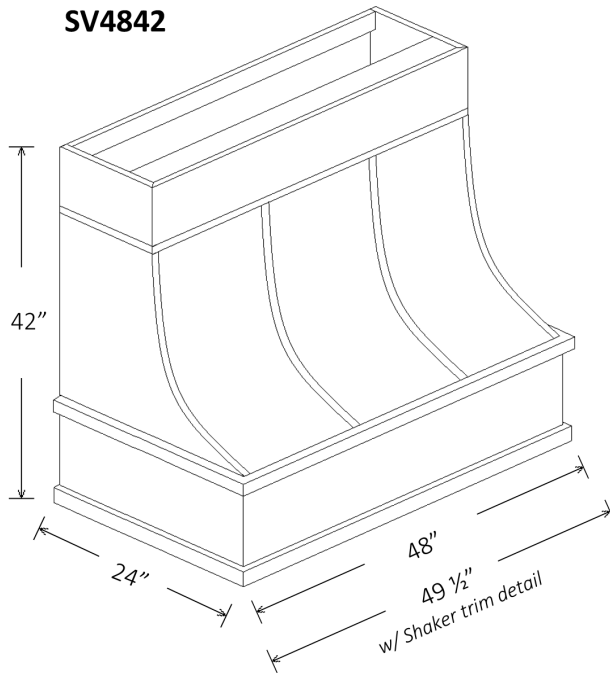
P.O. # _____
 Dealer Contact Name: _____
 Dealer Phone: _____
 Dealer Contact Email: _____
 SHIP TO: _____
 Address: _____
 City: _____ State: _____ Zip: _____

FINISH COLOR: _____

FINISH ENHANCEMENTS:

- LINEN GLAZE
- BRUSHED BROWN GLAZE
- KHAKI GLAZE
- BRUSHED GRAY GLAZE
- PEWTER GLAZE
- HEIRLOOM BROWN
- CHOCOLATE GLAZE
- HEIRLOOM GRAY
- COFFEE GLAZE
- RUB-THROUGH
- VINTAGE

**SAVANNAH
SV4842**



| |
|--|
| <p>Hood:</p> <p><input checked="" type="checkbox"/> Savannah SV _____ <input type="checkbox"/> Qty: _____</p> |
| <p>Species:</p> <p><input checked="" type="checkbox"/> Maple</p> |
| <p>Size:</p> <p>■ Width: <input type="checkbox"/> 36" <input type="checkbox"/> 42" <input type="checkbox"/> 48" <input type="checkbox"/> 54" <i>Inside box: 34.5" 40.5" 46.5" 52.5"</i></p> <p>■ Height: <input type="checkbox"/> 36" <input type="checkbox"/> 42" <input type="checkbox"/> 48" <input type="checkbox"/> 54"</p> <p>■ Depth: <input type="checkbox"/> 24" <i>inside box: 22.5"</i></p> <p><i>*outside box dimensions; excludes trim detail</i></p> |
| <p>Trim Detail Options:</p> <p><input type="checkbox"/> CLASSIC <input type="checkbox"/> COVE <input type="checkbox"/> SHAKER</p> <div style="display: flex; justify-content: space-around;"> <div style="text-align: center;"> <p>3/4" 3/4"</p> </div> <div style="text-align: center;"> <p>1 1/4" 1 1/2"</p> </div> <div style="text-align: center;"> <p>3/4" 1 1/2"</p> </div> </div> <p><i>*note trim projections, add to box dimensions</i></p> |
| <p>Face Detail:</p> <p><input checked="" type="checkbox"/> Smooth with Applied Battens</p> |
| <p>Removable Access Panel:</p> <p><input type="checkbox"/> NO <input type="checkbox"/> YES</p> |

Estimate 5 weeks lead time for delivery.