

ONLY AVAILABLE IN PAINTED FINISHES.

Select Product Line:



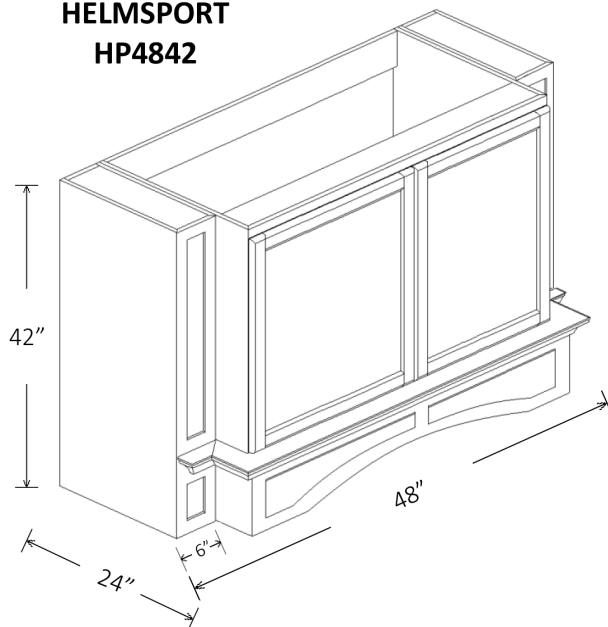
P.O. # _____
 Dealer Contact Name: _____
 Dealer Phone: _____
 Dealer Contact Email: _____
 SHIP TO: _____
 Address: _____
 City: _____ State: _____ Zip: _____

FINISH COLOR [PAINT ONLY]: _____

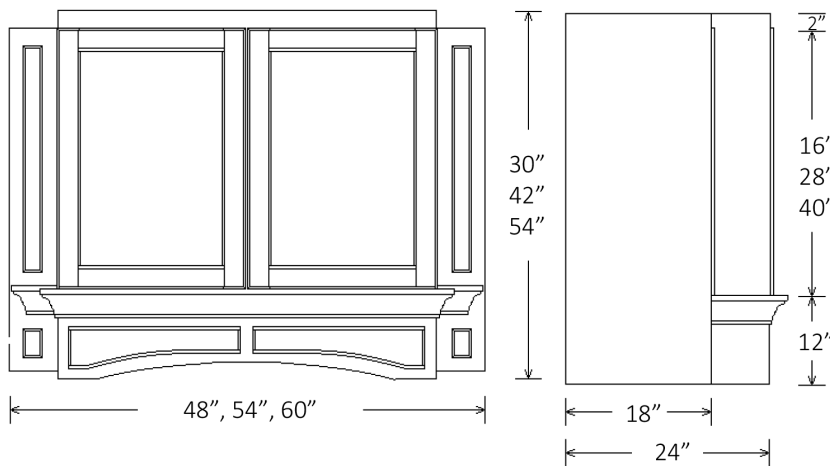
FINISH ENHANCEMENTS:

- LINEN GLAZE BRUSHED BROWN GLAZE
- KHAKI GLAZE BRUSHED GRAY GLAZE
- PEWTER GLAZE HEIRLOOM BROWN
- CHOCOLATE GLAZE HEIRLOOM GRAY
- COFFEE GLAZE

**HELMSPORT
HP4842**



- (2) Dummy Doors on Widths 48" & 54"
- (3) Dummy Doors on Width 60"



<p>Hood:</p> <p><input checked="" type="checkbox"/> Helmsport HP _____ ■ Qty: _____</p>
<p>Species:</p> <p><input checked="" type="checkbox"/> Maple</p>
<p>Size:</p> <p>■ Width: <input type="checkbox"/> 48" <input type="checkbox"/> 54" <input type="checkbox"/> 60" <i>Inside box: 34.5" 40.5" 46.5"</i></p> <p>■ Height: <input type="checkbox"/> 30" <input type="checkbox"/> 42" <input type="checkbox"/> 54"</p> <p>■ Depth: <input type="checkbox"/> 24" <i>inside box: 22.5"</i></p> <p><i>*outside box dimensions; excludes trim detail</i></p>
<p>Crown Shelf Detail Options:</p> <p><input type="checkbox"/> CLASSIC <input type="checkbox"/> COVE <input type="checkbox"/> COVE BEAD</p> <div style="display: flex; justify-content: space-around;"> </div> <p><i>*note trim projections, add to box dimensions</i></p>
<p>Dummy Door Options:</p> <p><input type="checkbox"/> CLASSIC <input type="checkbox"/> SHAKER</p> <div style="display: flex; justify-content: space-around;"> </div> <p><i>*Integrated valance profile will match door</i></p>
<p>Removable Access Panel:</p> <p><input type="checkbox"/> NO <input type="checkbox"/> YES</p>

Estimate 5 weeks lead time for delivery.