

Select Product Line:



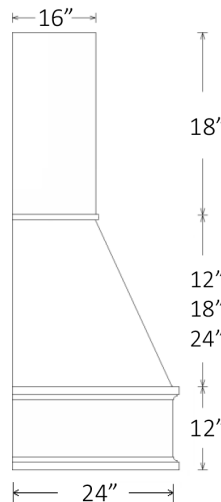
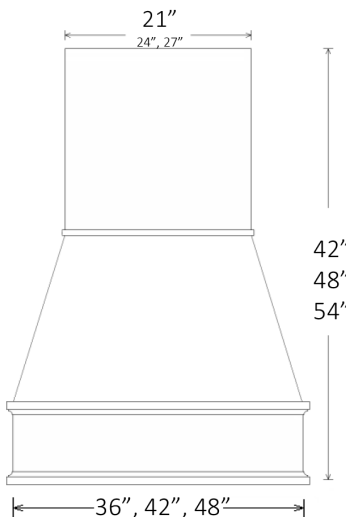
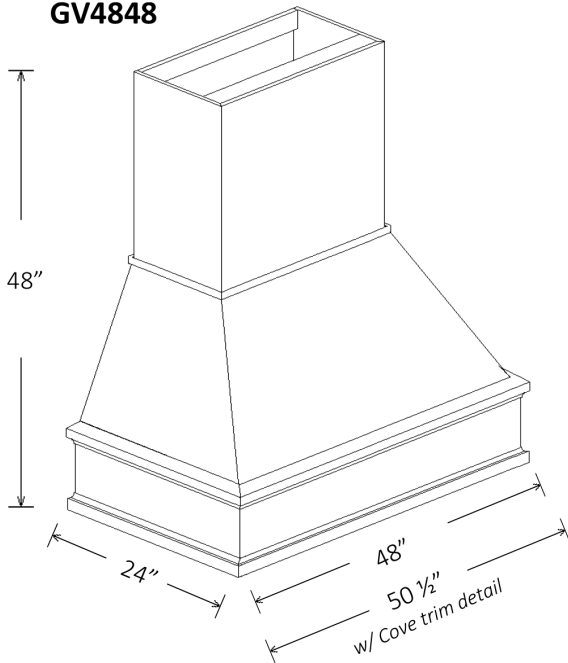
P.O. # _____
 Dealer Contact Name: _____
 Dealer Phone: _____
 Dealer Contact Email: _____
 SHIP TO: _____
 Address: _____
 City: _____ State: _____ Zip: _____

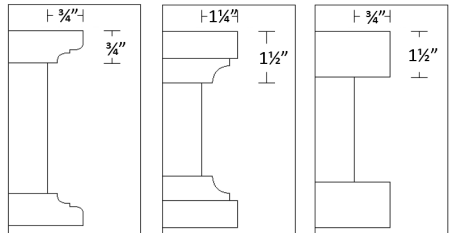
FINISH COLOR: _____

FINISH ENHANCEMENTS:

- LINEN GLAZE BRUSHED BROWN GLAZE
- KHAKI GLAZE BRUSHED GRAY GLAZE
- PEWTER GLAZE HEIRLOOM BROWN
- CHOCOLATE GLAZE HEIRLOOM GRAY
- COFFEE GLAZE RUB-THROUGH
- VINTAGE

**GREENVILLE
GV4848**



Hood: <input checked="" type="checkbox"/> Greenville GV _____ <input checked="" type="checkbox"/> Qty: ____
Species: <input checked="" type="checkbox"/> Maple
Size: ■ Width: <input type="checkbox"/> 36" <input type="checkbox"/> 42" <input type="checkbox"/> 48" <i>Inside box: 34.5" 40.5" 46.5"</i> <hr/> ■ Height: <input type="checkbox"/> 42" <input type="checkbox"/> 48" <input type="checkbox"/> 54" <hr/> ■ Depth: <input type="checkbox"/> 24" <i>inside box: 22.5"</i> <i>*outside box dimensions; excludes trim detail</i>
Trim Detail Options: <input type="checkbox"/> CLASSIC <input type="checkbox"/> COVE <input type="checkbox"/> SHAKER  <p><i>*note trim projections, add to box dimensions</i></p>
Face Detail: <input checked="" type="checkbox"/> Smooth
Removable Access Panel: <input type="checkbox"/> NO <input type="checkbox"/> YES* *Applied Battens Included

Estimate 5 weeks lead time for delivery.