

Select Product Line:

**ONLY AVAILABLE IN PAINTED FINISHES.**



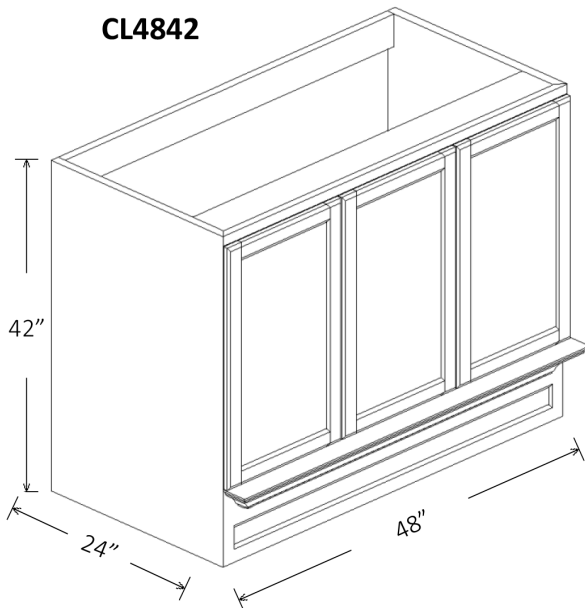
P.O. # \_\_\_\_\_  
 Dealer Contact Name: \_\_\_\_\_  
 Dealer Phone: \_\_\_\_\_  
 Dealer Contact Email: \_\_\_\_\_  
 SHIP TO: \_\_\_\_\_  
 Address: \_\_\_\_\_  
 City: \_\_\_\_\_ State: \_\_\_\_\_ Zip: \_\_\_\_\_

**FINISH COLOR [PAINT ONLY]:** \_\_\_\_\_

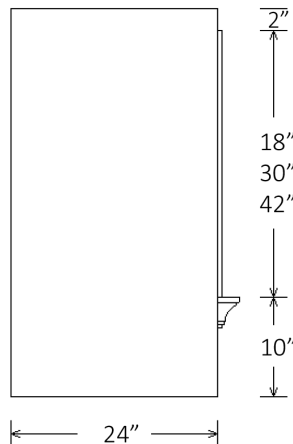
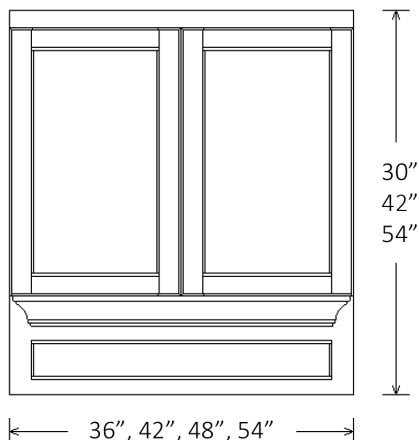
**FINISH ENHANCEMENTS:**

- LINEN GLAZE
- BRUSHED BROWN GLAZE
- KHAKI GLAZE
- BRUSHED GRAY GLAZE
- PEWTER GLAZE
- HEIRLOOM BROWN
- CHOCOLATE GLAZE
- HEIRLOOM GRAY
- COFFEE GLAZE

**CHARLOTTE  
CL4842**



- (2) Dummy Doors on Widths 36" & 42"
- (3) Dummy Doors on Widths 48" & 54"



<b>Hood:</b>	
<input checked="" type="checkbox"/> Charlotte CL _____	■ Qty: _____
<b>Species:</b>	
<input checked="" type="checkbox"/> Maple	
<b>Size:</b>	
■ Width: <input type="checkbox"/> 36" <input type="checkbox"/> 42" <input type="checkbox"/> 48" <input type="checkbox"/> 54"	
Inside box: 34.5" 40.5" 46.5" 52.5"	
■ Height: <input type="checkbox"/> 30" <input type="checkbox"/> 42" <input type="checkbox"/> 54"	
■ Depth: <input type="checkbox"/> 24" inside box: 22.5"	
<i>*outside box dimensions; excludes trim detail</i>	
<b>Crown Shelf Detail Options:</b>	
<input type="checkbox"/> CLASSIC	<input type="checkbox"/> COVE <input type="checkbox"/> COVE BEAD
<i>*note trim projections, add to box dimensions</i>	
<b>Dummy Door Options:</b>	
<input type="checkbox"/> CLASSIC	<input type="checkbox"/> SHAKER
<i>*Integrated valance profile will match door</i>	
<b>Removable Access Panel:</b>	
<input type="checkbox"/> NO	<input type="checkbox"/> YES

**Estimate 5 weeks lead time for delivery.**