

Select Product Line:



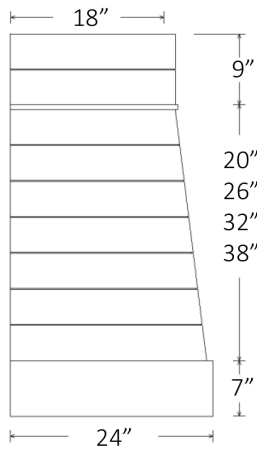
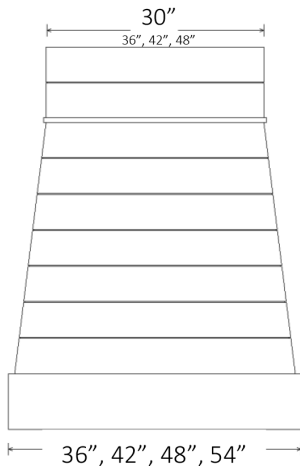
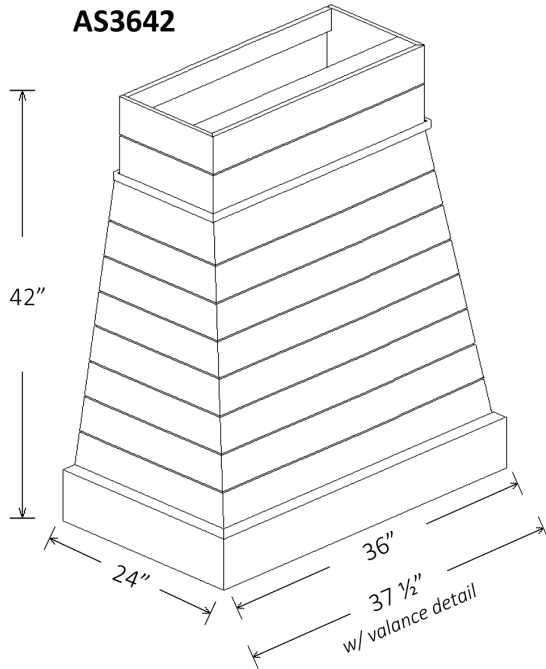
P.O. # \_\_\_\_\_  
 Dealer Contact Name: \_\_\_\_\_  
 Dealer Phone: \_\_\_\_\_  
 Dealer Contact Email: \_\_\_\_\_  
 SHIP TO: \_\_\_\_\_  
 Address: \_\_\_\_\_  
 City: \_\_\_\_\_ State: \_\_\_\_\_ Zip: \_\_\_\_\_

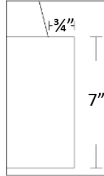
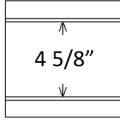
**FINISH COLOR:** \_\_\_\_\_

**FINISH ENHANCEMENTS:**

- LINEN GLAZE
- BRUSHED BROWN GLAZE
- KHAKI GLAZE
- BRUSHED GRAY GLAZE
- PEWTER GLAZE
- HEIRLOOM BROWN
- CHOCOLATE GLAZE
- HEIRLOOM GRAY
- COFFEE GLAZE
- RUB-THROUGH
- VINTAGE

**ASHEVILLE  
AS3642**



<b>Hood:</b> <input checked="" type="checkbox"/> Asheville AS _____ ■ Qty: _____
<b>Species:</b> <input type="checkbox"/> Maple <input type="checkbox"/> Quarter Sawn White Oak
<b>Size:</b> ■ Width: <input type="checkbox"/> 36" <input type="checkbox"/> 42" <input type="checkbox"/> 48" <input type="checkbox"/> 54" <i>Inside box: 34.5" 40.5" 46.5" 52.5"</i> ■ Height: <input type="checkbox"/> 36" <input type="checkbox"/> 42" <input type="checkbox"/> 48" <input type="checkbox"/> 54" ■ Depth: <input type="checkbox"/> 24" <i>inside box: 22.5"</i> <i>*outside box dimensions; excludes trim detail</i>
<b>Valance Detail:</b> <input checked="" type="checkbox"/> 7" Smooth  <i>*note trim projections, add to box dimensions</i>
<b>Face Detail:</b> <input checked="" type="checkbox"/> Shiplap 
<b>Removable Access Panel:</b> <input type="checkbox"/> NO <input type="checkbox"/> YES

**Estimate 5 weeks lead time for delivery.**