

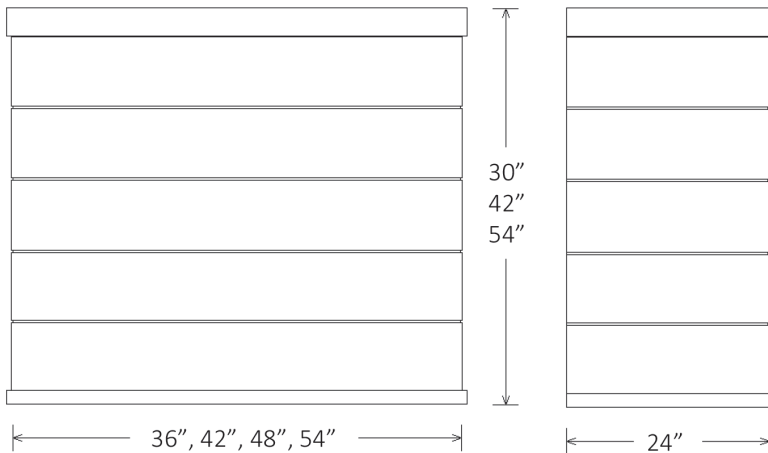
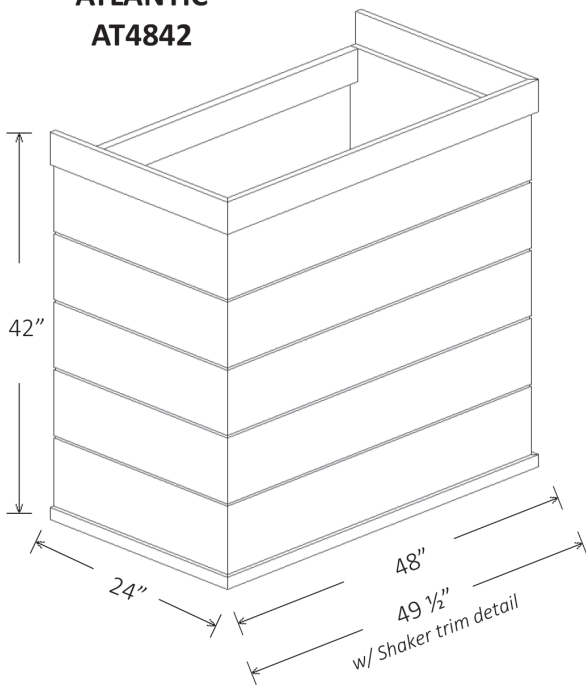
P.O. # _____
 Dealer Contact Name: _____
 Dealer Phone: _____
 Dealer Contact Email: _____
 SHIP TO: _____
 Address: _____
 City: _____ State: _____ Zip: _____

FINISH COLOR: _____

FINISH ENHANCEMENTS:

- LINEN GLAZE BRUSHED BROWN GLAZE
- KHAKI GLAZE BRUSHED GRAY GLAZE
- PEWTER GLAZE HEIRLOOM BROWN
- CHOCOLATE GLAZE HEIRLOOM GRAY
- COFFEE GLAZE RUB-THROUGH
- VINTAGE

**ATLANTIC
AT4842**



Hood:	
<input checked="" type="checkbox"/> Atlantic AT _____ ■ Qty: _____	
Species:	
<input type="checkbox"/> Maple <input type="checkbox"/> Quarter Sawn White Oak	
Size:	
■ Width: <input type="checkbox"/> 36" <input type="checkbox"/> 42" <input type="checkbox"/> 48" <input type="checkbox"/> 54"	
Inside box: 34.5" 40.5" 46.5" 52.5"	
■ Height: <input type="checkbox"/> 30" <input type="checkbox"/> 42" <input type="checkbox"/> 54"	
■ Depth: <input type="checkbox"/> 24" inside box: 22.5"	
<i>*outside box dimensions; excludes trim detail</i>	
Top Crown Detail:	
<input checked="" type="checkbox"/> 3" SHAKER	
<i>*note trim projections, add to box dimensions</i>	
Face Detail:	Base Detail:
<input checked="" type="checkbox"/> Shiplap	<input checked="" type="checkbox"/> Shaker
Removable Access Panel:	
<input type="checkbox"/> NO <input type="checkbox"/> YES	

Estimate 5 weeks lead time for delivery.